

Water taps

Model catalogue for Evodrop tap solutions



Why do you need a special tap?

The EVOfilter systems work in the deepest filtration range. Such efficient filtration also always means a high pressure loss. With our systems, one litre of water per minute is generated. This flow rate would not be sufficient for normal consumer water consumption for washing a pan or similar. This would also be too bad for the so well treated water.

This is where the right choice of a tap helps you. The various models allow you to enjoy the Evodrop water at any time without this water coming into contact with the normal tap water. But so that you can now also comfortably use the normal house water, there are different types of models that are guaranteed to meet every demand for a modern water tap.



OVERVIEW OF MODELS

Page 4-5

1in1 tap

This type of tap is installed separately from the existing tap in the kitchen. The 1in1 function allows the Evodrop water to be dispensed simply by using the lever function..

Page 6-7

2in1 tap

This type of tap is also mounted separately to the existing tap in the kitchen. In contrast to the 1in1 function, the 2in1 tap offers the possibility to dispense Evodrop water with and also without hydrogen. This is only possible if you have an EVOfilter premium system.

Page 8-17

3in1 tap

This type of tap replaces the existing tap. You can operate the normal hot and cold water through a mixer tap and you can enjoy the Evodrop water through a separate pipe in the same tap.

Page 18-23

4in1 tap

This type of tap also replaces the existing tap. You can use a mixer tap to operate the normal hot and cold water and a separate mixer tap to enjoy the Evodrop water with or without hydrogen through a separate pipe in the same tap. This is only possible with an EVOfilter premium system.

EW111

1 IN 1 WATER TAP

This 1 in 1 tap is solely responsible for dispensing treated Evodrop water and cannot dispense your normal hot and cold water. This tap can be mounted anywhere on the edge of the sink next to your current tap.

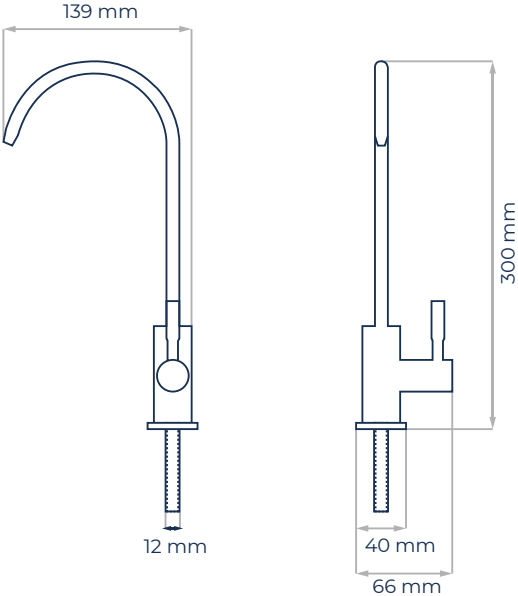
Function	Swivelling
Dimensions	H 300 mm W 66 mm D 139 mm
Drill hole size	15mm
Material	Stainless steel, matt

39 EUR

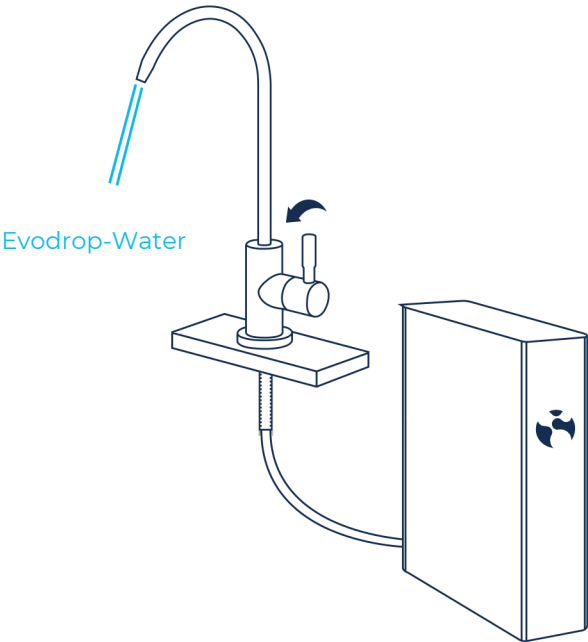


EW111

DIMENSIONS



FUNCTION



EW211

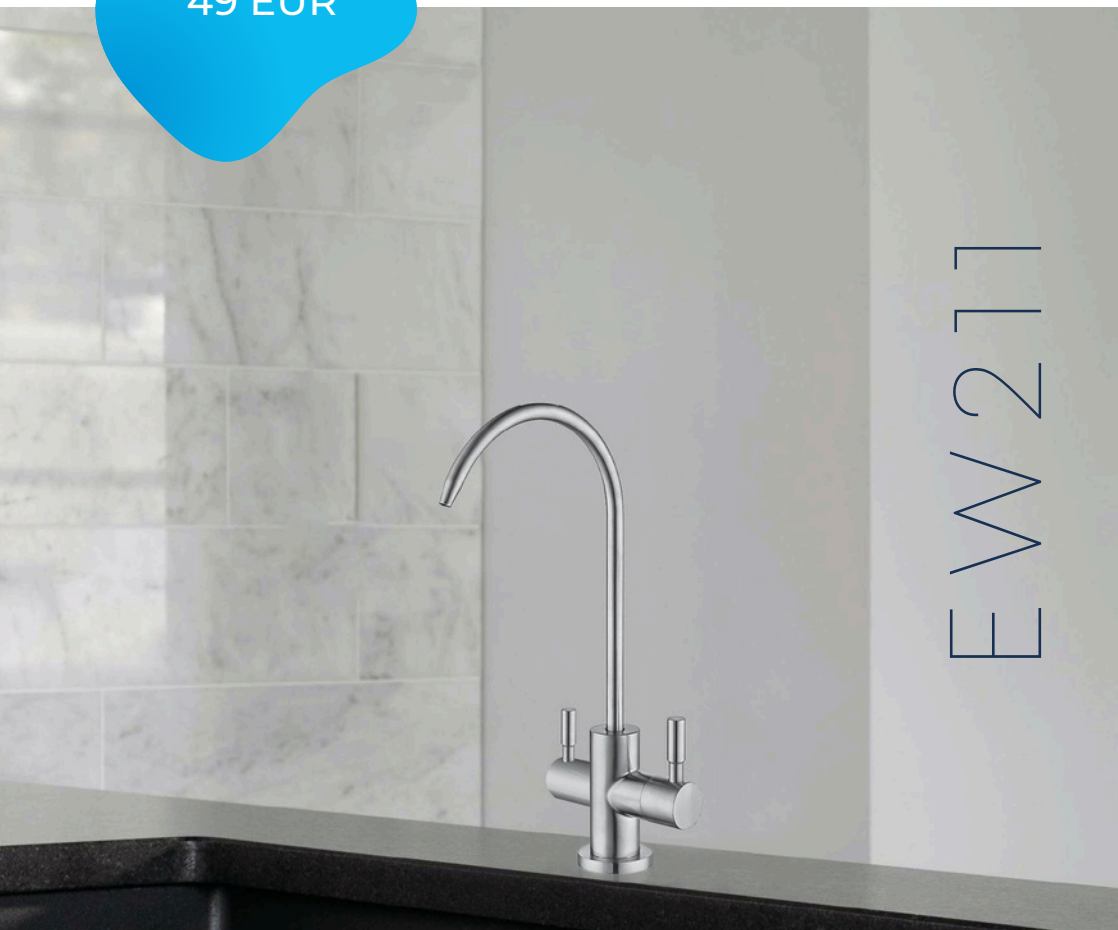
2 IN 1 WATER TAP

The 2 in 1 tap is responsible for dispensing treated Evodrop water. We recommend this tap when you order an EVObooster. You have the option to choose whether you want to dispense the water without or with hydrogen.

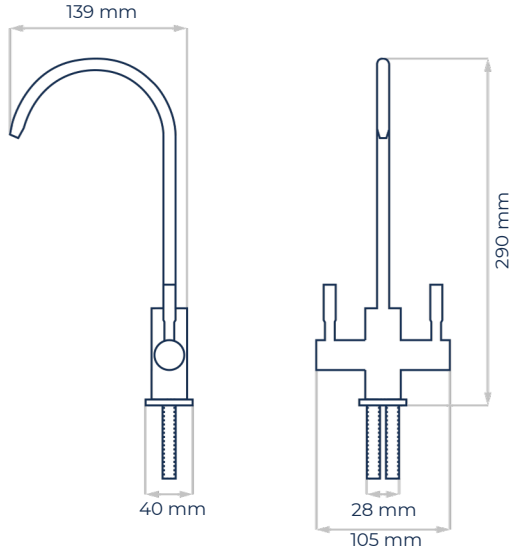
49 EUR

Function	Swivelling
Dimensions	H 290 mm W 105 mm D 139 mm
Drill hole size	15mm
Material	Stainless steel, matt

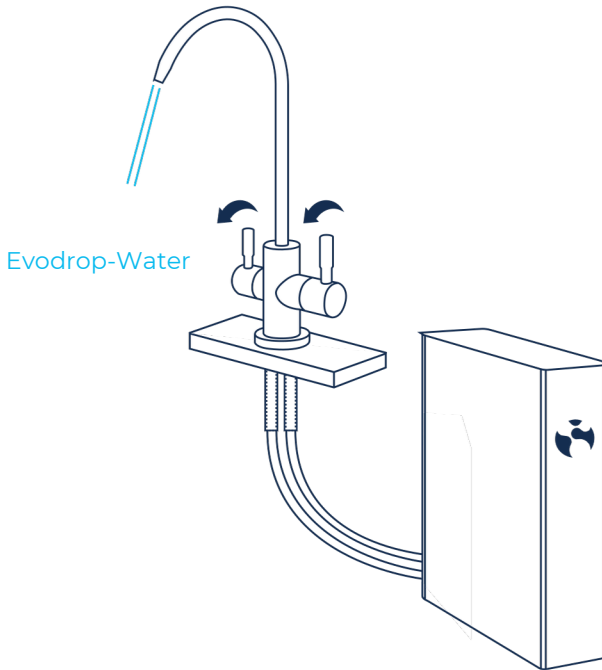
EW211



DIMENSIONS



FUNCTION



EW312

3 IN 1 WATER TAP

With the elegant and compact EW312 combination tap, you can replace your current tap and control your normal hot and cold water with the large lever. With the lower small lever, you activate the Evodrop water and conveniently benefit from healthy and wholesome Evodrop water through a separate pipe in the same tap.

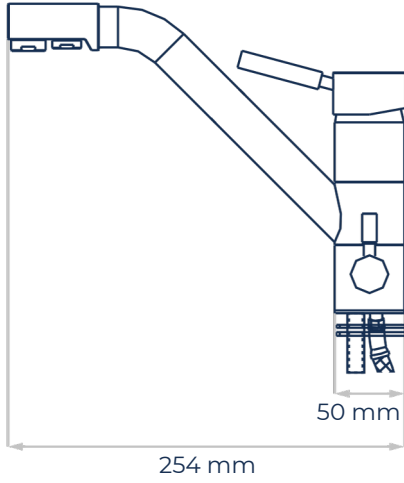
Function	Swivelling
Dimensions	H 165 mm W 85 mm D 254 mm
Drill hole size	35 mm
Material	Brass, matt nickel finish

300 EUR

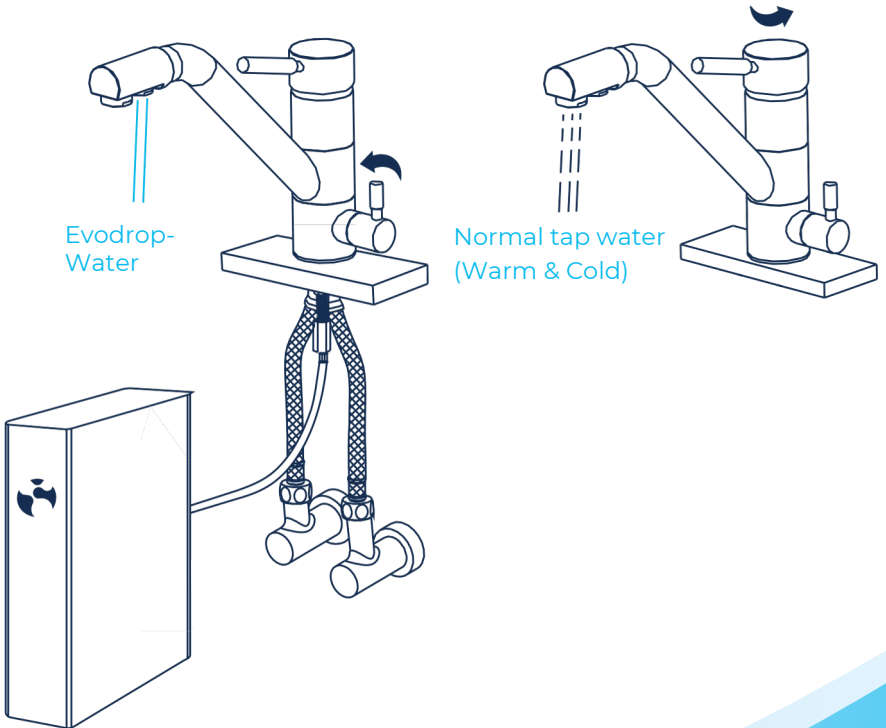


EW312

DIMENSIONS



FUNCTION



EW313

3 IN 1 WATER TAP

The gorgeous EW313 combination tap with a total height of 420mm is a real eye-catcher. This tap replaces your current one and is beautifully chrome-plated. With the large lever (right) you control your hot and cold water and with the left lever you benefit from healthy and soft Evodrop water.

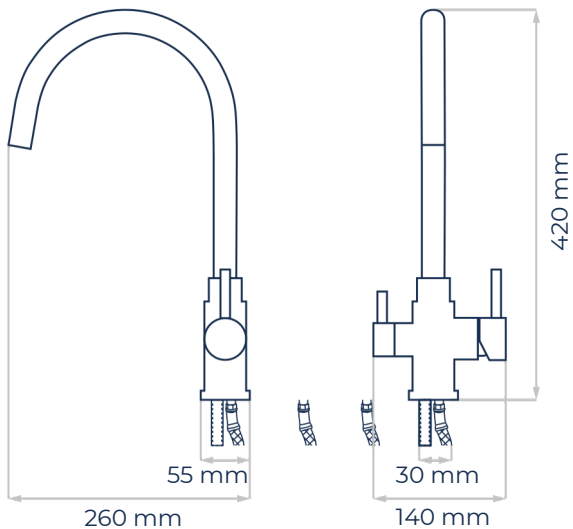
Function	Swivelling
Dimensions	H 420 mm W 140 mm D 260 mm
Drill hole size	35 mm
Material	Stainless steel, matt polished

300 EUR

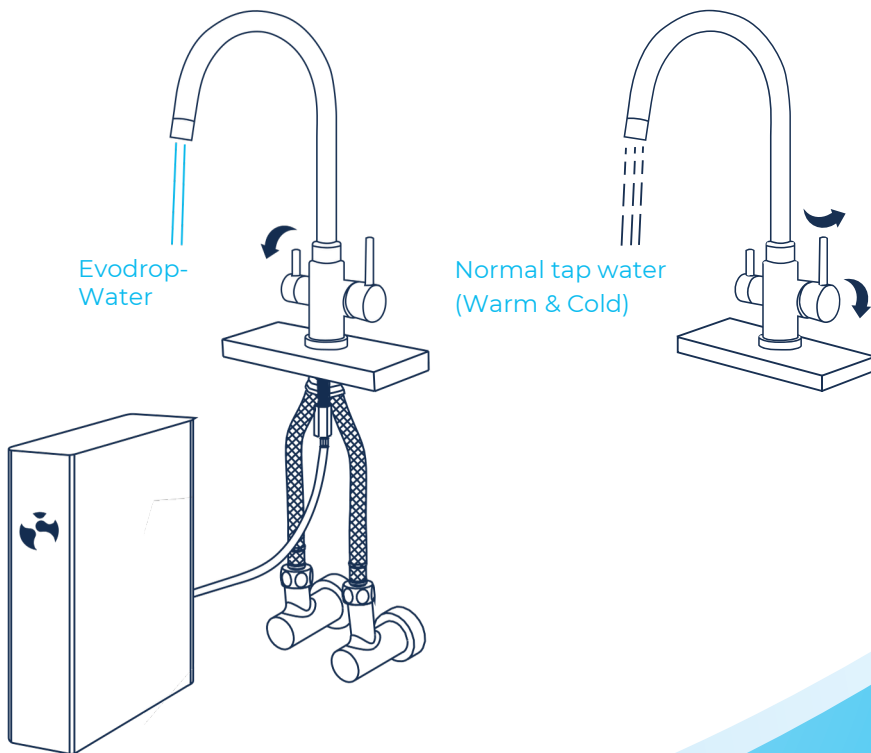


EW313

DIMENSIONS



FUNCTION



EW314

3 IN 1 WATER TAP

This multifunctional water tap is practical and beautiful at the same time. On the one hand, you have the option of detaching the shower head for your hot and cold water from the holder in order to move the tap freely. On the other hand, you have different adjustment methods for the output of your consumption water. The treated Evodrop water is conveniently dispensed through the swivelling centre bar. Function meets design.

Function	Swivelling with removable shower head
Dimensions	H 520 mm W 143 mm D 260 mm
Drill hole size	35 mm
Material	Stainless steel, matt polished

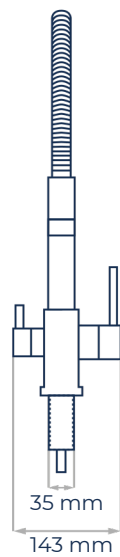
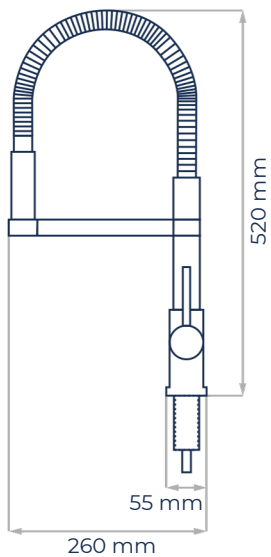
400 EUR



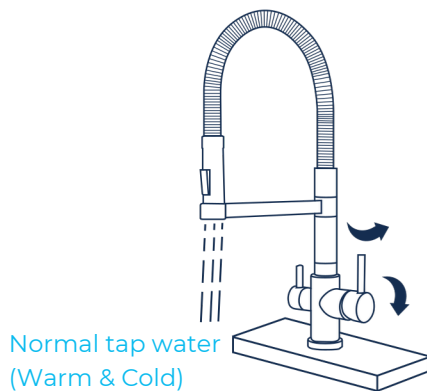
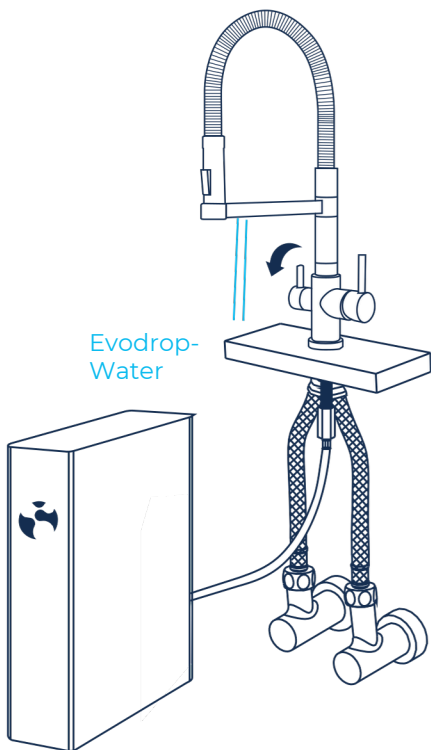
Including
removable
shower head

EW314

DIMENSIONS



FUNCTION



EW315

3 IN 1 WATER TAP

This multifunctional water tap is practical and beautiful at the same time. On the one hand, you have the option of detaching the shower head for your hot and cold water from the holder in order to move the tap freely. On the other hand, you have different adjustment methods for the output of your consumption water. The treated Evodrop water is conveniently dispensed through a swivelling small tap. Function meets design.

Function	Swivelling with extendable shower head
Dimensions	H 410 mm W 165 mm D 260 mm
Drill hole size	35 mm
Material	Brass, matt nickel finish

400 EUR

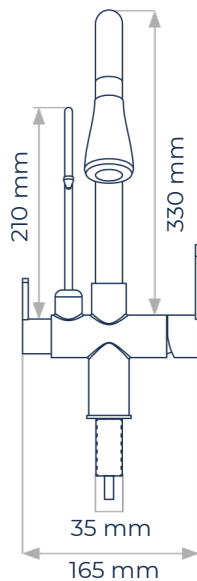
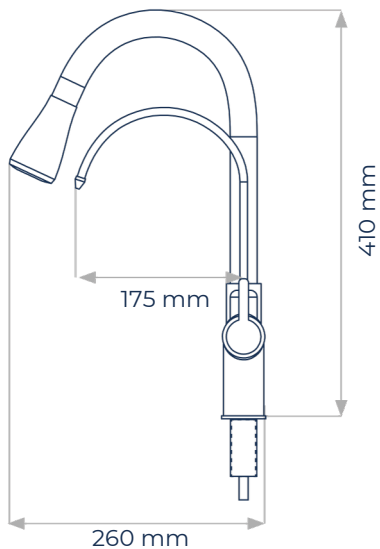


Including
extendable
shower head

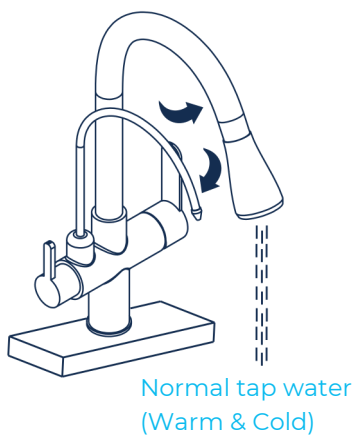
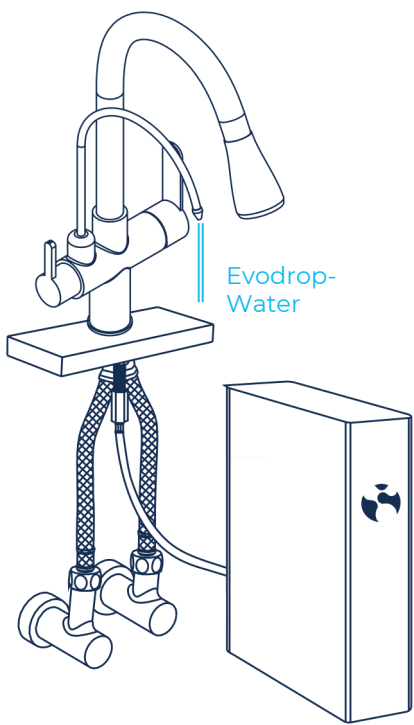


EW315

DIMENSIONS



FUNCTION



EW316

3 IN 1 WATER TAP

This multifunctional tap is practical and minimalist at the same time. On the one hand, you have the option of detaching the shower head for your hot and cold water from the holder in order to move the tap freely. With the large lever (right) you operate your hot and cold water and with the left lever you benefit from healthy and soft Evodrop water.

Function	Swivelling with extendable shower head
Dimensions	H 290 mm W 155 mm D 245 mm
Drill hole size	35 mm
Material	Brass, matt nickel finish

400 EUR

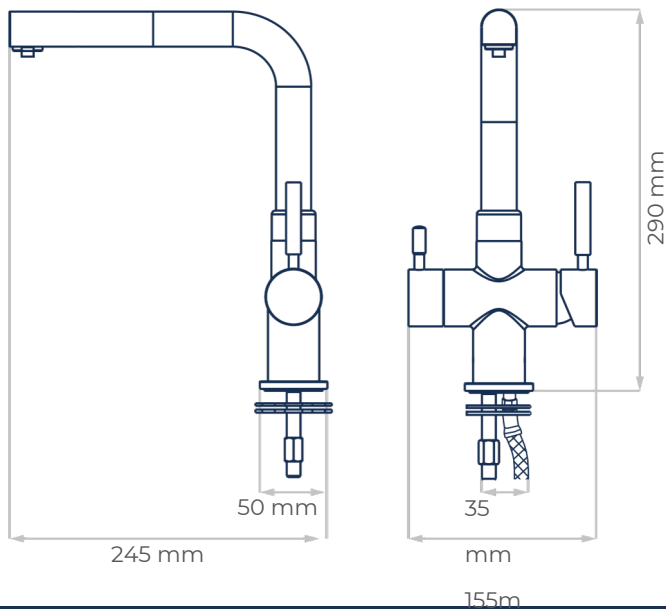


Including
extendable
shower head

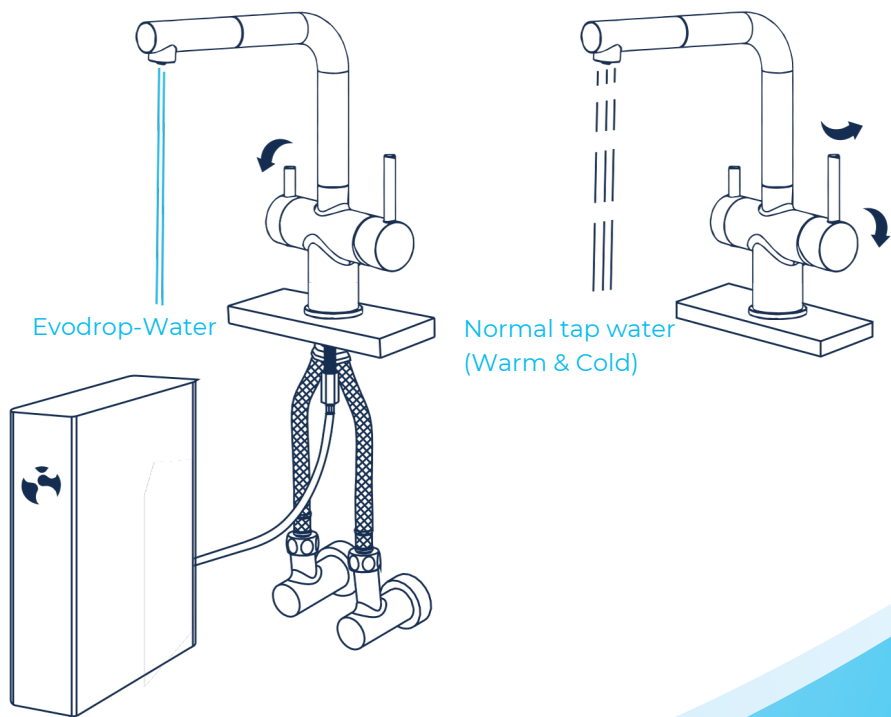


EW316

DIMENSIONS



FUNCTION



EW411

4 IN 1 WATER TAP

This elegant combination tap is equipped with dynamic functions. With the large lever (right) you can use the normal service water and with the left lever you have the option to choose between the treated Evodrop water without hydrogen or just with hydrogen.

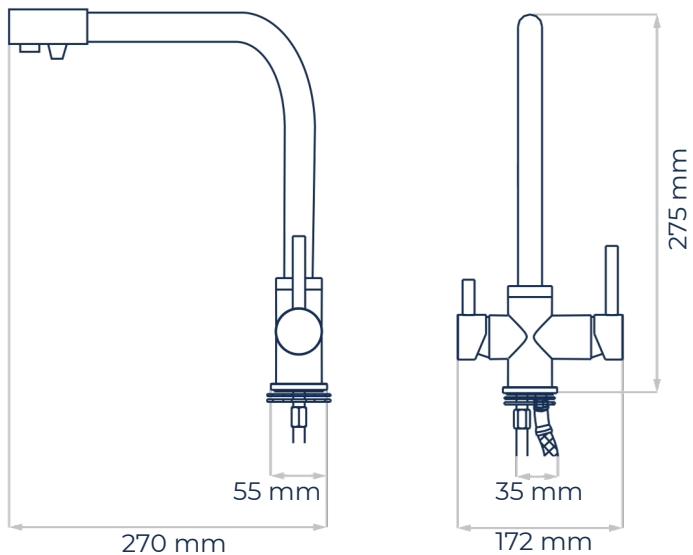
Function	Swivelling
Dimensions	H 275 mm W 172 mm D 270 mm
Drill hole size	35 mm
Material	Brass, matt nickel finish

400 EUR

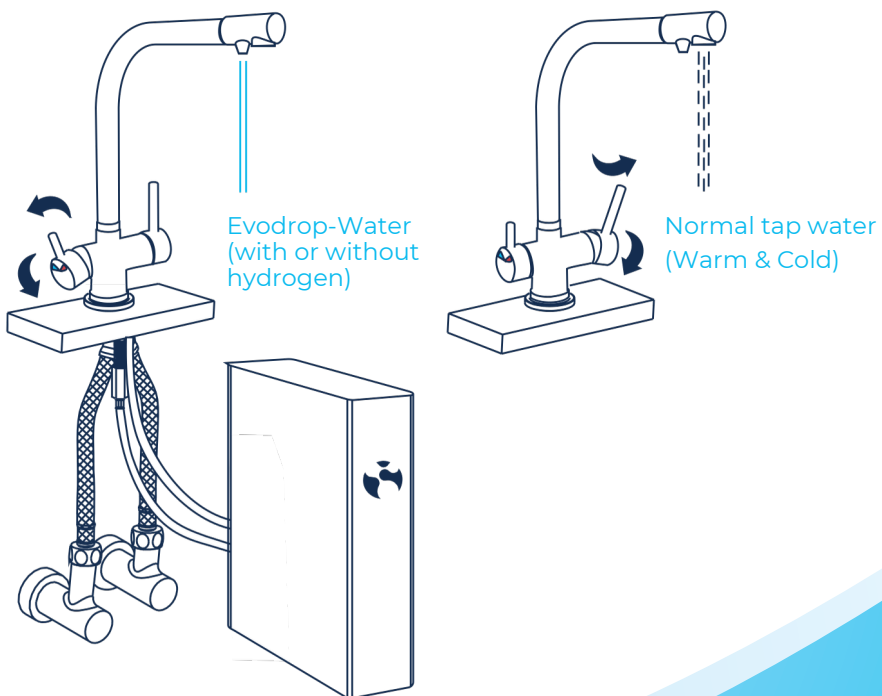


EW411

DIMENSIONS



FUNCTION



EW412

4 IN 1 WATER TAP

This multifunctional water tap is practical and beautiful at the same time. On the one hand, you have the option of detaching the shower head with various settings for your cold and hot water from the holder in order to move the tap freely. The treated Evodrop water can be dispensed either with or without hydrogen and is conveniently dispensed through the swivelling centre bar. Function meets design.

Function	Swivelling with removable shower head
Dimensions	H 500 mm W 155 mm D 250 mm
Drill hole size	35 mm
Material	Brass, matt nickel finish and rubber hose

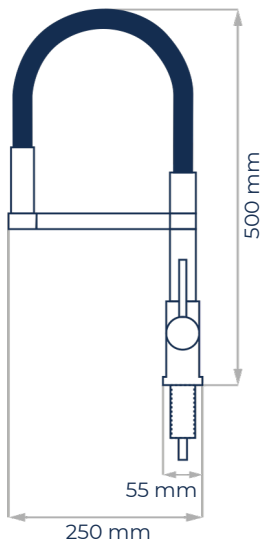
400 EUR

Including
removable
shower head

EW412

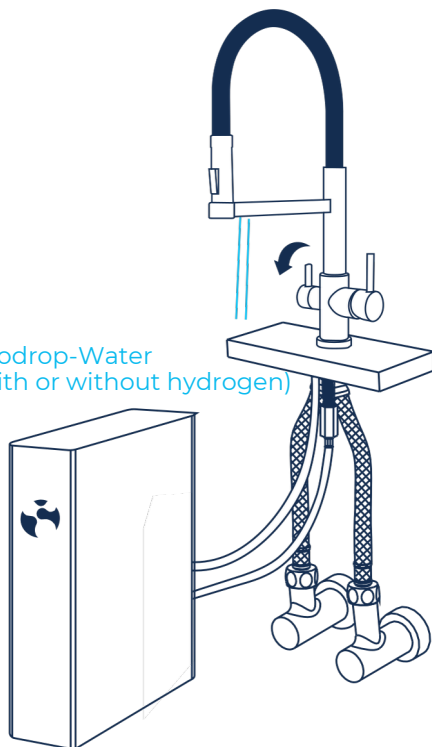


DIMENSIONS

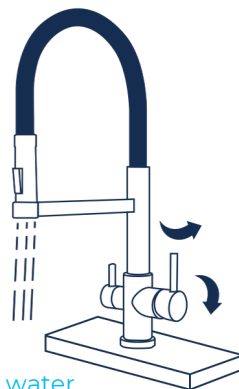


FUNCTION

Evodrop-Water
(with or without hydrogen)



Normal tap water
(Warm & Cold)



EW416

4 IN 1 WATER TAP

This multifunctional tap is practical and minimalist at the same time. On the one hand, you have the option of detaching the shower head for your hot and cold water from the holder in order to move the tap freely. With the large lever (right) you can use the normal service water and with the left lever you have the option to choose between the treated Evodrop water without hydrogen or just with hydrogen.

Function	Swivelling with extendable shower head
Dimensions	H 290 mm W 155 mm D 245 mm
Drill hole size	35 mm
Material	Brass, matt nickel finish

400 EUR

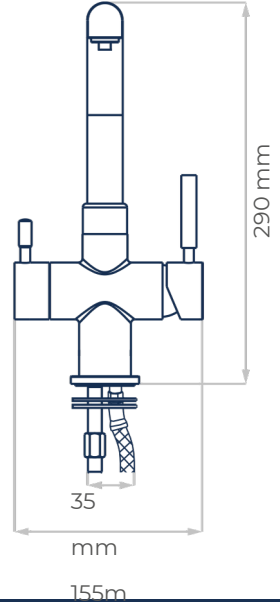
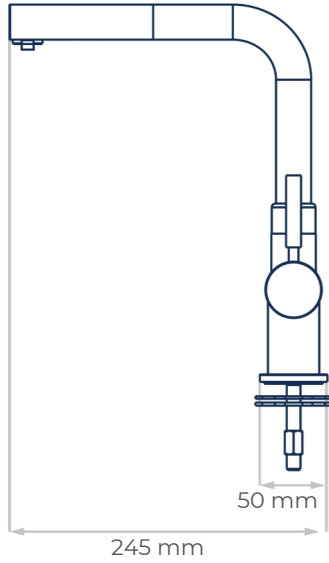


Including
extendable
shower head

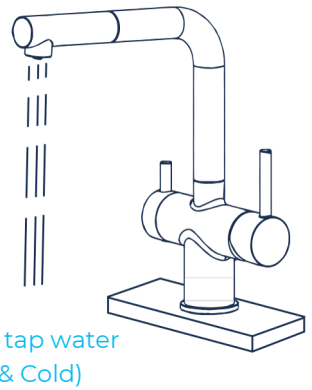
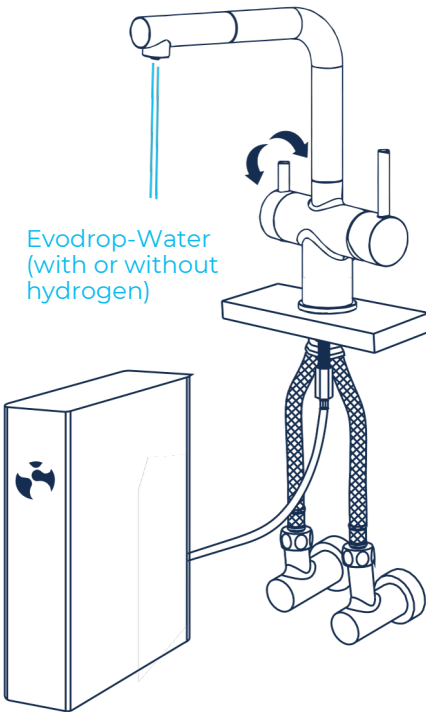


EW416

DIMENSIONS



FUNCTION





Official Distributor

Will of Water GmbH
Max-Högger-Strasse 6
8048 Zürich
Switzerland

Tel. +41 78 79 333 07
hello@willofwater.com
www.willofwater.com

Products by

